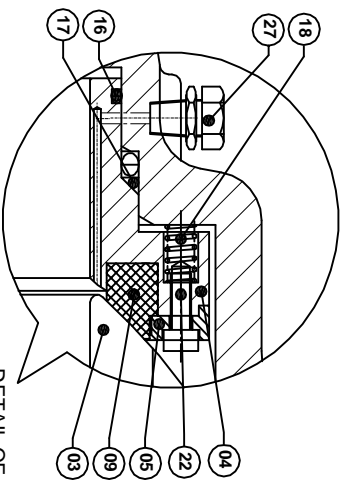


CLASS	600#						
	L	ØB	ØD	RF	'K' PCD	HOLE X ØD	FT
100MM	432	100	273	157.2	216	8 x 25	38.1
125MM	508	125	330	185.7	266.7	8 x 28	44.5
150MM	599	150	355	216	292.1	12 x 28	47.75
200MM	660	201	419	269.9	349.25	12 x 31.7	55.63
250MM	787	252	508	323.8	431.8	16 x 35	63.5
300MM	838	303	559	381	488.95	20 x 35	66.54




DETAIL OF 'A'

P. No.	PART NAME	MATERIAL
01	BODY	ASTM A216 Gr. WCB
02	SIDE PIECE	ASTM A216 Gr. WCB
03	BALL	ASTM A351 Gr. CF8
04	SEAT HOLDER	ASTM A351 Gr. CF8
05	SEAT RETAINING RING	ASTM A351 Gr. CF8
06	TRUNION WITH BOTTOM FLANGE	ASTM A351 Gr. CF8
07	STEM	ASTM A351 Gr. CF8
08	GLAND	ASTM A351 Gr. CF8
09	BALL SEAT	ASTM A351 Gr. CF8
10	BODY SEAL	ASTM A351 Gr. CF8
11	STEM PACKING	ASTM A351 Gr. CF8
12	GLAND PACKINGS	ASTM A351 Gr. CF8
13	BOTTOM FLANGE SEAL	ASTM A351 Gr. CF8
14	STEM 'O' RINGS	ASTM A351 Gr. CF8
15	TRUNION 'O' RING	ASTM A351 Gr. CF8
16	SEAT HOLDER 'O' RING	ASTM A351 Gr. CF8
17	WEDGE RINGS	ASTM A351 Gr. CF8
18	SPRINGS	ASTM A351 Gr. CF8
19	SIDE PIECE STUDS & NUTS	ASTM A193 Gr. B7 & A194 Gr. 2H
20	BOTTOM FLANGE STUDS & NUTS	ASTM A193 Gr. B7 & A194 Gr. 2H
21	GLAND ALLEN CAP SCREWS	ASTM A193 Gr. B7 & A194 Gr. 2H
22	RETAINER ALLEN CAP SCREWS	ASTM A193 Gr. B7 & A194 Gr. 2H
23	ANTISTATIC DEVICE	ASTM A193 Gr. B7 & A194 Gr. 2H
24	GEAR BOX	ASTM A193 Gr. B7 & A194 Gr. 2H
25	GEAR BOX STUDS & NUTS	ASTM A193 Gr. B7 & A194 Gr. 2H
26	STEM INJECTOR	ASTM A193 Gr. B7 & A194 Gr. 2H
27	SEAT INJECTOR	ASTM A193 Gr. B7 & A194 Gr. 2H
28	DRAIN PLUG	ASTM A193 Gr. B7 & A194 Gr. 2H

ENGINEERING DATA

DESIGN CODE	API 6D / ASME B 16.34
FACE TO FACE	API 6D
END CONNECTION	ASME B 16.5 RF TO 125 - 250 AARRH
INSPECTION & TESTING	API 598

HYDROTEST: 600#	AIR TEST
BODY: 156 KG/CM ²	SEAT: 7 KG/CM ²

DRN.: BM/P	 <p>NORFLOW Industrial Valves</p>
CHK.: V.G.P	
APRD.: SK/P	
DATE: 01.04.19	
SCALE: NTS	TRUNION MOUNTED BALL VALVE FLANGED ENDS, 600#
DRG NO.: NCBI/LV/600/100-300	